

# AR-128128N

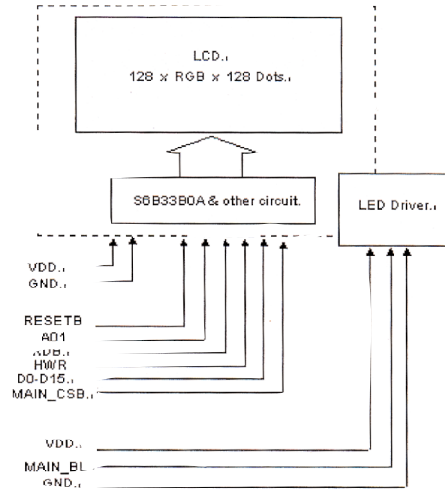
•128(RGB) x 128 dots 1/128 Duty

## FEATURE

- Main LCD : 1.1 Color-STN 1.5 inch display, Transmissive, negative type, 6 o'clock.
- 1.2 128(RGB)X128 dots Matrix, 1/128 Duty.
- 1.3 Narrow-contact ledge technique
- 1.4 Main LCD controller is S6B33B0A.
- 1.5 Full 65K color display
- Sub LCD : 2.1 Monochromatic FSTN type, Transflective, Positive, 6 o'clock view
- 2.2 80X48 dots matrix, 1/48 Duty, 1/8Bias.
- 2.3 Sub LCD controller is UC1606
- 2.4 COF technology
- 2.5 Interface for 8bits 80-series parallel interface.

## BLOCK DIAGRAM

Block diagram (Main LCD)  
 Display format:Color-STN transmissive, negative type, 6 o'clock.  
 Display composition:128 x RGB x 128 dots  
 Back light:White LED x 3



## ELECTRICAL CHARACTERISTICS

	Parameter	Symbol	Condition	Typ. Value	Unit.
Main LCD	LCD Driving Voltage	VOP	25°C	17.7	V
	Supply Current	IDD	VDD=2.8V	2.8	mA
Sub LCD	LCD Driving Voltage	VOP	25°C	8.2	V
	Supply Current	IDD	T.B.D	T.B.D	mA

## INTERFACE

1	2	3	4	5	6	7	8	9	10
SP+	SP-	NC	NC	SUB_BL	MAIN_CSB	D8	D9	D10	D11
11	12	13	14	15	16	17	18	19	20
D12	D13	D14	D15	MAIN_BL	BATT+	BATT1+	LED_CONT	LED_BLUE	GND5
21	22	23	24	25	26	27	28	29	30
GND6	LED_RED	LED_GREEN	NC	VDD_P	D7	D6	D5	D4	D3
31	32	33	34	35	36	37	38	38	40
D2	D1	D0	WRB	RS	RESETB	SUB_CSB	GND2	GND1	GND

