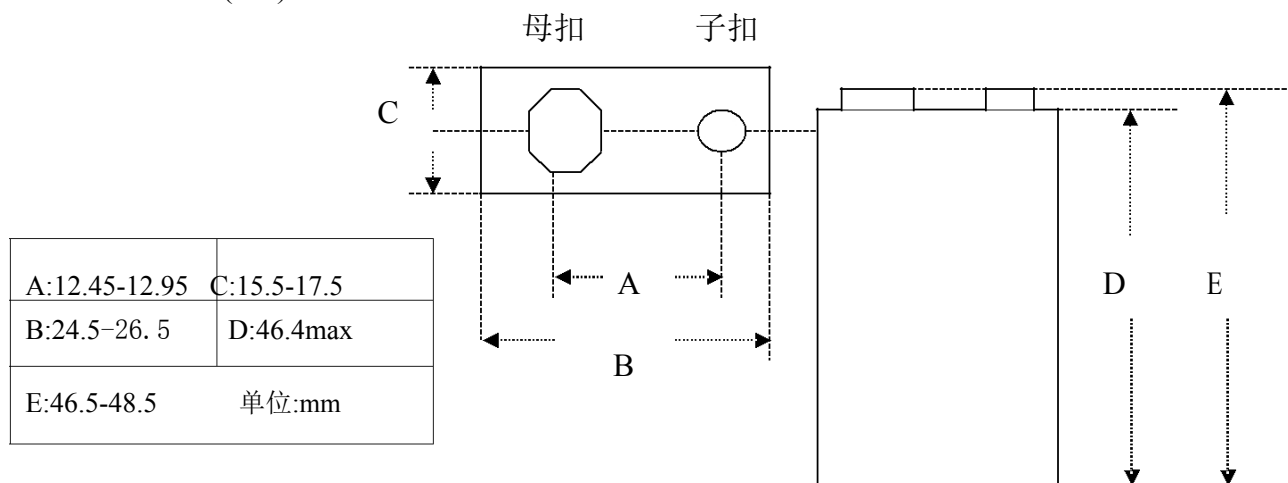


## 1.简介/About

碱性电池 Alkaline battery  
 型号 Model#: 6LR61 9V  
 尺寸 Dimensions(GB):



化学结构 Chemical System: Zn/KOH—H<sub>2</sub>O/MnO<sub>2</sub>

标称电压 Nominal voltage: 9.0V

平均重量 Average weight: 43.0~45.0g

商 标: 仿金属铝膜 Jacket: Foil Label

参考标准 Reference document: IEC60086-2: 2000, IEC60086-1: 2000, GB/T 8897.1.2-2013

重金属含量 Heavy Metal Contents:

Hg	Cd	Pb
<1 ppm	<10 ppm	<10 ppm

## 2.额定值/Rating

额定电压/Nominal Voltage	0.9V	
使用温度范围 Temperature Range for operation	标准温度 Standard Temperature	20℃ ± 2℃
	专用温度 Special Temperature	30℃ ± 2℃
	高温 High temperature	45℃ ± 2℃
相对湿度范围 Humidity Range for Storage	标准相对湿度 Standard Humidity	35%~75%
	专用相对湿度 Special Humidity	35%~65%
近似重量/Approx weight	6LR61:43.0~45.0g	

### 3. 电性能/Electrical Characteristic

(条件:负载电阻 270 Ω,精度±0.5%, 测量时间:0.3S,测量温度: 20℃±2℃。收货后 30 天内测试)  
(condition: on-load resistance 270 Ω ,precision±0.5%,time:0.3S, temperature: 20℃±2℃。

Testing should be done within 30days upon the receipt of goods.)

	空载电压 /Off-load Voltage(V)	负载电压 /On-load Voltage(V)	瞬间电流 /Instance current(A)
新电/fresh Battery	≥9.60	≥9.00	≥5.0
室温存储 12 个月/stored for 12 months under Room Temp	≥9.50	≥8.50	≥4.0

### 4. 放电性能/ Discharge Characteristic

(条件:测量温度: 20℃±2℃。收货后 30 天内测试。)

(condition: temperature: 20℃±2℃. Testing should be done within 30days upon the receipt of goods)

参 考 标 准 standa rd	放电条件/Discharge condition			最少平均放电时间 /Minimum average Discharge time	
	放电负载/ on-load resistance	每天放电时间 /Discharge time per day	终 止 电 压 /end Voltage( V)	新 电 池 /fresh Battery	室温存储 12 个月 /stored for 12 months under Room Temp
	180 Ω	1h/d	4.8V	≥900 min	≥800 min
	180 Ω	24h/d	4.8V	≥900 min	≥800 min
	270 Ω	1h/d	5.4V	≥21.5 h	≥20.5 h
	270 Ω	24h/d	5.4V	≥22 h	≥21 h
	620 Ω	2h/d	5.4V	≥51 h	≥48 h

**容量:** 600mAH (标准温度下 25mA 恒流放电至 4.8V)

Capacitance: 600mAH (S.T. 25mA constant-current discharge to 4.8 V)

(验收标准: 每一种放电条件取 9

只电池进行放电。平均放电时间等于或大于规定值, 而且放电时间少于规定值的 80%的电池数不大于 1, 则认为电池的放电时间符合要求。)

(Inspect standard: discharge 9 sample-batteries for each condition. It passes when average discharge time is no less than Rated Time and the quantity of the batteries which the value is under 80% of Rated Value is no more than one)

### 5. 耐漏液性能/Anti-leakage characteristic

项目/Item	条件/Condition	期限/Period	特性/Characteristic	验 收 标 准 /Inspect standard
过放电耐 漏 性 能 Feature of over-disch arge	连续放电, 温度: 20℃ ±2℃相对 65±20RH on-load:180 Ω temp: 20℃±2℃。 Huml: 65±20RH	连 续 放 电 3.6V Uninterrupted discharge for 3.6V	电池变形不超出电 池尺寸的上限或没 有可见漏液情况。 Deformation is less than 0.2mm and no	N=50,AC=0, Re=1

储存期耐漏性能 feature of storage	温度: 60°C ± 2°C 相对 湿度: 低于 90%RH temp 60°C ± 2°C Humid: ≤ 90%RH	≥ 30 天 / ≥ 30 days	visual leakage	N=50, AC=1, Re=2
急性短路 Acute short circuit	电路中的连接电阻应 不大于 0.1 Ω In the circuit connection resistance should be no more than 0.1 Ω	24h	无爆炸 Non explosive	N=10, AC=0, Re=0

## 6. 标记/Marks:

在电池外标明以下内容:/the following message will be printed or stamped on the body of the battery:

- (1) 型号:/Model
- (2) 标称电压/Nominal Voltage
- (3) 极性/pole
- (4) 警告/Warning
- (5) 生产日期/到有效期日期 (附电池标版) Manufactured Date /Exp date

## 7. 电池存放期/ Storage life

于常温及合适环境可储存 3 年/ Under room temp & suitable environment, its shelf time is 3 years.

## 8. 放电曲线/Discharge diagram

### 6LR61

终止电压 End Voltage: 4.80V

放电方式 Discharge Methods: 1h/d continuous

室温 Temperature: 20°C ± 2°C

a) 负载电阻 Load Resistance 270 Ω

