

FEATURE

- Ultra thin, thickness 1.0mm
- Leadless type
- High precision characteristic covering up to high frequency range
- Automatic mounting
- Embossed taping specification
- Reflow soldering

APPLICATIONS

- Ideally suited designed for disc drives, NB, PCs and hand-held electronic products

ELECTRICAL SPECIFICATIONS

| Output Frequency Range | 6.000MHz to 110.000MHz |
|--|--|
| Mode | see Table 1* |
| Frequency Tolerance (at 25°C) | ±10ppm, ±20ppm, ±30ppm, or specify |
| Frequency Stability Over Operating Temperature Characteristics | -10°C ~+60°C ±30ppm, -20°C ~+70°C ±20ppm or specify |
| Storage Temperature Range | -40°C to 85°C |
| Operable Temperature Range | -10°C to +60°C ~ -40°C to +85 °C |
| Shunt Capacitance (C ₀) | 7.0pF Maximum (3.0pF Typical) |
| Driver Level (Typical) | 10μW~100μW |
| Load Capacitance(C _L) | Series, 16pF, 20pF, 30pF, 32pF, or specify |
| Equivalent Series Resistance ESR (Ω) | see Table 1* |
| Aging @25°C 1 st year (Max) | ±1ppm, ±3ppm/year |
| Shock Resistance | Drop test of 3 times on 2mm stainless plate from 75cm height |

REMARK: SPECIFICATIONS SUBJECT TO CHANGE WITHOUT PRIOR NOTICE. PLEASE CONFIRM WITH OUR SALES ENGINEER.

Frequency and Equivalent Series Resistant

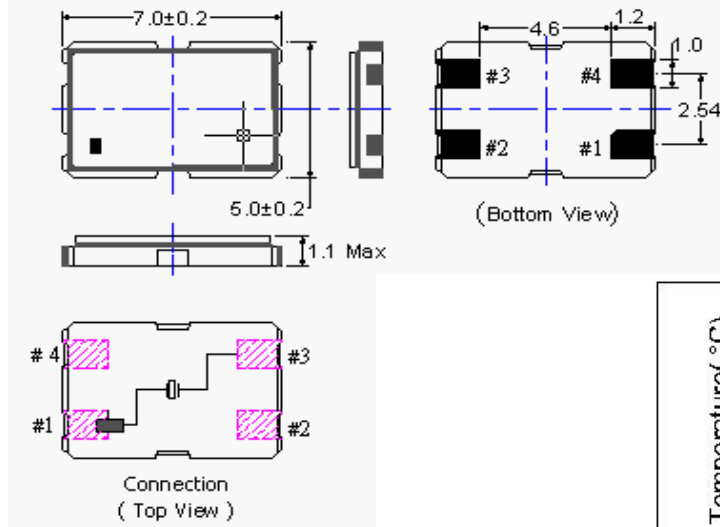
| Frequency Range | E.S.R. (Ω) | Mode |
|------------------------|------------|---------------------|
| 6.000MHz ~ 7.999MHz | 100 Max | Fundamental / AT |
| 8.000MHz ~ 15.999MHz | 60 Max | Fundamental / AT |
| 16.000MHz ~ 32.000MHz | 40 Max | Fundamental / AT |
| 30.000MHz ~ 44.999MHz | 80 Max | Third Overtone / AT |
| 45.000MHz ~ 89.999MHz | 70 Max | Third Overtone / AT |
| 90.000MHz ~ 110.000MHz | 75 Max | Third Overtone / AT |

Quartz Crystal

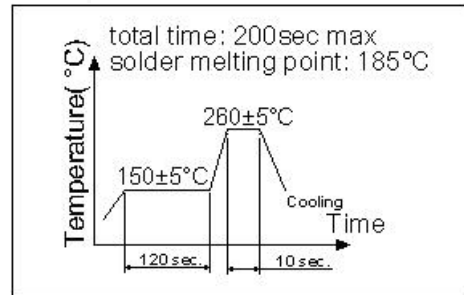
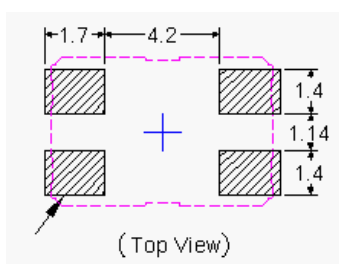


SERIES 6F, SEAM SEALED CERAMIC 7.0 X 5MM SMD

Dimension



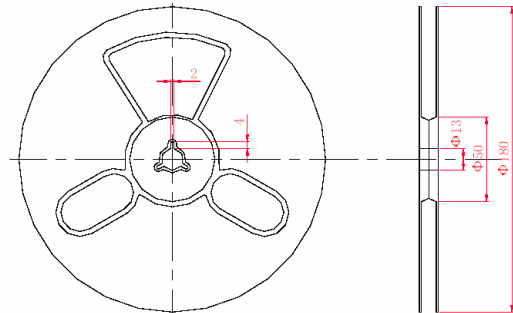
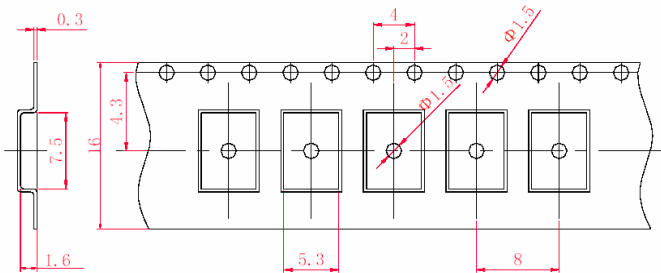
Reference Land Pattern



R

Reflow Condition

PACKING



PART NUMBER

| | | | | | | | |
|---------|--------------------------------|--|---|--------------------------------|--|---|--|
| SJK-6F- | 16 | 20 | 20 | 35 | F | A | 20 |
| | Frequency e.g. 16:±16MHz | Load capacitance e.g. 20:20pf s:series | Frequency tolerance e.g. 20:±20ppm | E.S.R.max e.g. 35:35Ωmax | oscillate mode F:Fundamental 3:3rd overtone 5:5th overtone | operating temperature range A:-10-60°C B:-20-70°C C:-40-85°C | temperature stability: e.g. 20:±20ppm |