

# Quartz crystal



Series 6I, GLASS SEALED CERAMIC 5 X 3.2MM Surface Mount Package

## FEATURE

- Ultra thin, thickness 1.0mm
- Leadless type
- High precision characteristic covering up to high frequency range
- Automatic mounting
- Embossed taping specification
- Suitable for Reflow soldering
- Ideally suited designed for disc drives, NB, PCs

and hand-held electronic products

## ELECTRICAL SPECIFICATIONS

Output Frequency Range	12.000 MHz to 40.000 MHz
Mode	See Table 1*
Frequency Tolerance (at 25°C)	±30ppm ~ ±50ppm, or specify
Frequency Stability Over Operating Temperature Characteristics	-10°C ~ +60°C ±30ppm, -20°C ~ +70°C ±50ppm or specify
Storage Temperature Range	-55 °C to +125 °C
Operable Temperature Range	-40 °C to + 85 °C
Shunt Capacitance (C <sub>0</sub> )	5.0 pF Max
Driver Level (Typical)	10μW~100μW
Load Capacitance(C <sub>L</sub> )	Series, 16pF, 20pF, 30pF, 32pF, or specify
Equivalent Series Resistance ESR	See Table 1*
Aging @25°C 1 <sup>st</sup> year (Max)	±3ppm, ±5ppm/year
Shock Resistance	Drop test of 3 times on 2mm stainless plate from 75cm height

**REMARK:** SPECIFICATIONS SUBJECT TO CHANGE WITHOUT PRIOR NOTICE. PLEASE CONFIRM WITH OUR SALES ENGINEER.

## Frequency and Equivalent Series Resistant

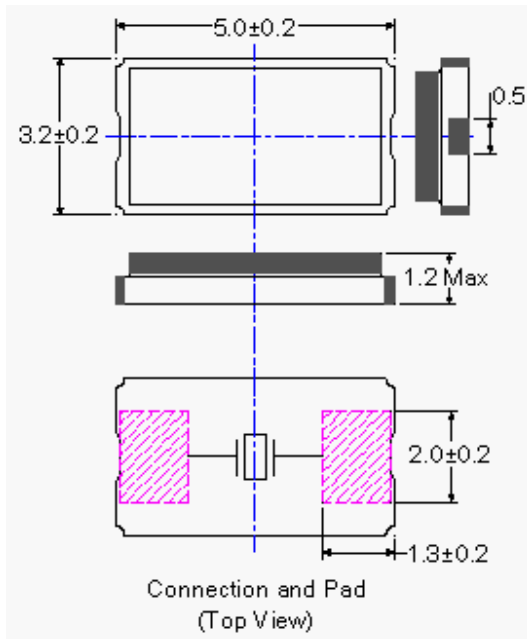
Frequency Range	E.S.R. (Ω)	Mode
12.000 MHz ~ 30.000 MHz	60 Max	Fundamental / AT
30.000 MHz ~ 40.000 MHz	45 Max	Fundamental / AT

# Quartz crystal

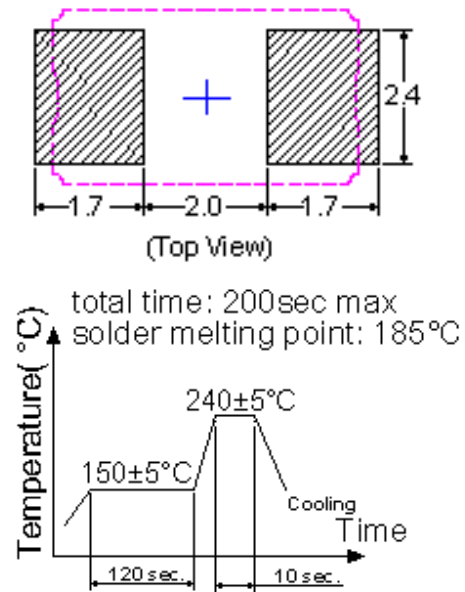


Series 6I, GLASS SEALED CERAMIC 5 X 3.2MM Surface Mount Package

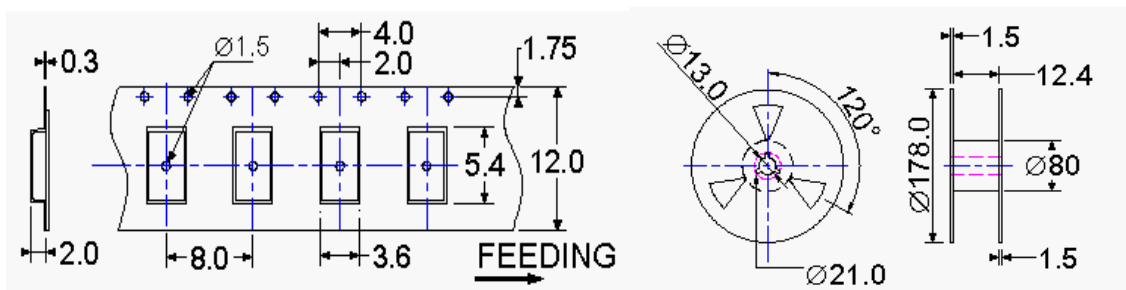
## Dimension



## Reference Land Pattern



## PACKING



## PART NUMBER

SJK-6I-	16	20	30	60	A	50
	Frequency e.g. 16:±16MHz	Load capacitance e.g. 20:20pf s:series	Frequency tolerance e.g. 30:±30ppm	E.S.R.max e.g. 100:100Ωmax	Operating temperature range A:-10-60°C B:-20-70°C C:-40-85°C	Temperature stability: e.g. 50:±50ppm