



n Series For Wireless Remote Control & Alarm

Part Number	Center Frequency (MHz)	Electronic Characteristics	Package
Oneport Resonator SRXXXX	300~1000MHz	Frequency Tolerance: ±75/±150/±250KHz Insertion Loss: ≤2dB Unloaded Q: 1000~ 13000 typ 50Ω loaded Q: 1000~2200 typ Operating Temperature: -25°C ~ +60°C Storage Temperature: -45°C ~ +85°C	DIP Type: TO-39 F-11 / F-16 SMD Type: SM-1 (F11-SMD) SM-2 (QCC4A) SM-3 (QCC8C) SM-4 (QCC8B) SM-5 (DCC6)
Twoport Resonator SBXXXX	300~1000MHz	Frequency Tolerance: ±75/±150/±250KHz Insertion Loss: ≤6.0dB typ Unloaded Q: 8000~ 13000 typ 50Ω loaded Q: 3500~6000 typ Operating Temperature: -25°C ~ +60°C Storage Temperature: -45°C ~ +85°C	
Front-end Filter SFXXXX	315 345 418 424.825 433.92 824.25 868.35 902.3 913.5 916.5 ...	Insertion Loss: 5.5dB max 3dB Bandwidth: 600/1200KHz typ Ultimate Rejection: 60dBmin	

n SAW Filter For Satellite Program Receiver

Part Number	Center Frequency (MHz)	Insertion Loss (dB)	-3dB Bandwidth (MHz)	Applications	Package
SF-480-1 SF-480-2 SF-480-3 SF-480-4	480	21 22.5 22.5 22.5 22.5	18 27.5 36 27.5	One-Channel Satellite Program Receiver Filter For DSB System	TO-39 F11 SM-3
SF-480-5 SF-480-6 SF-480-7	479.5	21.8 / 22 22 / 22.5 24.5 / 23.6	15 / 27 18 / 27 27 / 36	Two-Channel Satellite Program Receiver Filter For DSB System	
SF-480-8	480	22 / 27.5	26.8 / 53.6	DSB System	



n Bandpass Filter for Digital TV, Dogital Radio & VOD

Part Number	Center Frequency (MHz)	Bandwidth (MHz)	Standard	Package
SBF23A1D	23.4	1.8	DAB	SIP5D
SBF36A2D	36.00	8.1	Dig terrestrial TV	SIP5D
SBF36A4M		8.0	Dig. CATV	SIP5K
SBF36A1D	36.125	8.0	Dig. CATV	SIP5D
SBF36A1M		8.0	Dig. CATV	SIP5K
SBF37A1M	37.00	6.0	Dig. CATV	SIP5K
SBF37A2M	37.00	1.4	DAB	F-18
SBF389A1M	38.912	1.5	DAB	SIP5K
SBF41A1M	41.25	0.9	DAB	SIP5K
SBF42A1M	42.00	6.0	Dig. CATV	SIP5K
SBF43A4M	43.00	6.0	Dig. CATV	SIP5K
SBF43A1D	43.75	6.2	Dig. CATV	SIP5D
SBF43A1M		6.0	Dig. CATV	SIP5K
SBF43A2D		6.0	Dig. CATV	SIP5D
SF43A	43.80	6.0	Dig. CATV	FS14
SF43B		6.0	Dig. CATV	FS14
SF43C		6.0	Dig. CATV	FS14
SBF44A1D	44.00	6.0	Dig. CATV	SIP5D
SBF44A1M		6.0	Dig. CATV	SIP5K
SBF44A2D		6.2	Dig. CATV	SIP5D
SBF44A3M		1.8; 1.1	DVB-DAVIC	SIP5K
SBF44A5M		1.7	Interactive TV	SIP5K
SBF44A6M		8.0	Dig. CATV	SIP5K
SBF46A1M	46.59	6.0	Dig. CATV	SIP5K
SBF49A1M	49.125	0.72	DAB	SIP5K
SBF54A1M	54.00	6.0	Dig. CATV	SIP5K
SBF70A1M	70.00	1.0	Dig. CATV	SIP5K
SBF70A2M		10.4	Dig. SAT-TV	SIP5K
SBF9019	1090	±6	Dig. TV	QCC8B
SBF9001	1220	±4	Dig. TV	QCC8B



SAW PRODUCTS

n SAW Filter for FRS & PMR

Part Number	Center Frequency (MHz)	Bandwidth (MHz)	Insertion Loss (dB)	Stop-Band Attenuation (dB)	I/O Impedance		Package
					A Type	B Type	
SFXXXX	410 418 422 424 446 465 480 526	F0±2.0	4.5 Max	5.0 Min	50Ω/0PF	150Ω/0PF	F11 SM-3 (QCC8C)

n A Series of SAW Filter at 70MHz、90MHz、140MHz for Telecommunication

Part Number	Center Frequency (MHz)	Bandwidth @3dB Min (MHz)	Insertion Loss (dB)	Ripple Min(dB)	Rejection Min (dB)	Matching	Package
SF7001	70.0	40.0	26.0	0.740	No	DIP	2212
SF7003	70.0	36.0	25.0	1.340	No	DIP	2212
SF7005	70.0	32.0	23.5	1.050	No	DIP	2212
SF7006	70.0	30.0	22.5	1.045	No	DIP	2212
SF7007	70.0	28.0	27.5	1.045	Yes	DIP	2212
SF7011	70.0	20.0	27.0	0.750	Yes	DIP	2212
SF7013	70.0	16.0	26.0	0.750	No	DIP	2212
SF7017	70.0	12.0	25.0	0.655	No	DIP	2212
SF7018	70.0	11.0	24.0	0.655	No	DIP	2212
SF7026	70.0	6.5	25.0	0.850	Yes	DIP	2212
SF7031	70.0	4.0	25.0	0.850	Yes	DIP	2212
SF7032	70.0	3.5	27.0	0.850	Yes	DIP	2212
SF7035	70.0	2.0	26.0	0.750	Yes	DIP	2212
SF7037	70.0	1.0	24.0	0.550	Yes	DIP	2212
SF7056	70.0	6.2	24.8	1.050	No	DIP	3512
SF7057	70.0	19.2	34.5	1.550	No	DIP	3512
SF7092	70.0	19.2	24.5	1.555	No	DIP	3512
SF70JY	70.0	1.45	35.0	1.055	No	DIP	3512
SF70-0.2	71.0	0.20	18.0	0.245	No	DIP	3616
SF7103	71.0	0.23	23.0	0.150	No	DIP	3512
SF09003	90.0	24.1	35.0	1.550	No	DIP	3512
SF09008	90.0	24.0	34.0	1.548	No	DIP	3512
SF14010	140.0	28.0	26.5	0.750	No	DIP	2212
SF14016	140.0	12.0	25.0	0.850	No	DIP	2212
SF14021	140.0	6.0	28.0	0.750	No	DIP	2212



SAW PRODUCTS

n SAW Filter for Wireless LAN & Blue-tooth

Part Number	Center Frequency (MHz)	-1.5dB Bandwidth (MHz)	Insertion Loss (dB)	Package
SFXXXX	110	4.0	6.8	F-11 F-16 SM-3 (QCC8C)
	240	10.0	14.0	
	260	1.1	8.5	
	280	19.8	7.0	
	325	2.0	13.0	
	352	5.6	2.0	
	371	2.0	10.5	
	374	22.0	9.0	
	1240	20.0	2.9	

n SAW Filter for Cordless Telephone

Part Number	Center Frequency (MHz)	-1.5dB Bandwidth (MHz)	Insertion Loss (dB)	Package
SF422	422.18	12.0	2.5	DIP F-11
SF434	433.91	12.3	2.5	
SF465	465.14	10.9	2.5	
SF886	886	10.2	3.0	SMD SM-3 (QCC8C) SM-5 (DCC6) (QCC8B)
SF914	914.5	10.3	2.7	
SF915	915	32.0	2.5	
SF926	926.25	11.3	3.5	
SF931	931	9.4	3.0	
SF959	959.5	10.2	2.8	

n RF SAW Filter for other Applications

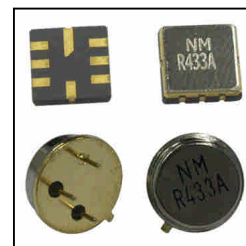
Part Number	Center Frequency (MHz)	-1.5dB Bandwidth (MHz)	Insertion Loss (dB)	Package
SF250A	250	6	< 3.5	F11
SF265A	265	6	< 3.5	F11
SF384A	384	6	< 3.5	F11
SF620	620	10	< 3.5	F11
SF868	868.35	10	< 3.5	F11
SF886	886	15	< 3.5	F11
SF746	746	10	< 3.5	F11
SF916.5	916.5	10	< 3.5	F11
SF841	841	15	< 3.5	F11

SAW RESONATOR



APPLICATION

- Wireless Remote Control & Alarm
- Consumer Electronics
- Communication



The SR Series One-Port SAW Resonators for Wireless Remote Control

Part Number	Center Frequency(MHz)	Insertion Loss(dB)	Quality Factor		Package
			Unloaded	50Ω Load	
SR 260A	260	<2.0	>12000	>2000	TO-39;F11 SMD
SR 300A	300	<2.0	>12000	>2000	TO-39;F11 SMD
SR 303A	303.825	<2.0	>12000	>2000	TO-39;F11 SMD
SR 303.875	303.875	<2.0	>12000	>2000	TO-39;F11 SMD
SR 304.3	304.3	<2.0	>12000	>2000	TO-39;F11 SMD
SR 311.1	311.125	<2.0	>12000	>2000	TO-39;F11 SMD
SR 314.5	314.5	<2.0	>12000	>2000	TO-39;F11 SMD
SR 315A	315	<2.0	>12000	>2000	TO-39;F11 SMD
SR 316.8	316.8	<2.0	>12000	>2000	TO-39;F11 SMD
SR 318	318	<2.0	>12000	>2000	TO-39;F11 SMD
SR 320	320	<2.0	>12000	>2000	TO-39;F11 SMD
SR 325	325	<2.0	>12000	>2000	TO-39;F11 SMD
SR 330	330	<2.0	>12000	>2000	TO-39;F11 SMD
SR 340	340	<2.0	>12000	>2000	TO-39;F11 SMD
SR 345	345	<2.0	>12000	>2000	TO-39;F11 SMD
SR 350	350	<2.0	>12000	>2000	TO-39;F11 SMD
SR 351	351	<2.0	>12000	>2000	TO-39;F11 SMD
SR 360	360	<2.0	>12000	>2000	TO-39;F11 SMD
SR 384	384	<2.0	>12000	>2000	TO-39;F11 SMD
SR 390	390	<2.0	>12000	>2000	TO-39;F11 SMD
SR 395	395	<2.0	>12000	>2000	TO-39;F11 SMD
SR 396	396	<2.0	>12000	>2000	TO-39;F11 SMD
SR 400	400	<2.0	>12000	>2000	TO-39;F11 SMD
SR 418A	418	<2.0	>12000	>2000	TO-39;F11 SMD
SR 420	420	<2.0	>12000	>2000	TO-39;F11 SMD
SR 423A	423.22	<2.0	>12000	>2000	TO-39;F11 SMD
SR 426	426	<2.0	>12000	>2000	TO-39;F11 SMD
SR 430	430	<2.0	>12000	>2000	TO-39;F11 SMD
SR 433.42	433.42	<2.0	>12000	>2000	TO-39;F11 SMD
SR 433A	433.92	<2.0	>12000	>2000	TO-39;F11 SMD
SR 435.7	435.72	<2.0	>12000	>2000	TO-39;F11 SMD
SR 436.9	436.925	<2.0	>12000	>2000	TO-39;F11 SMD

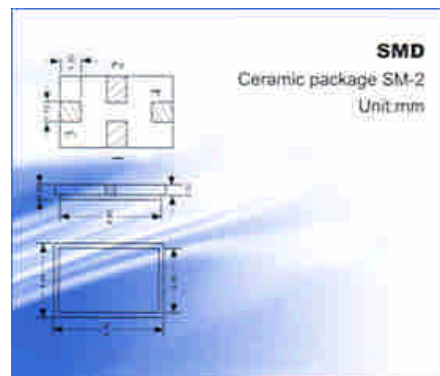
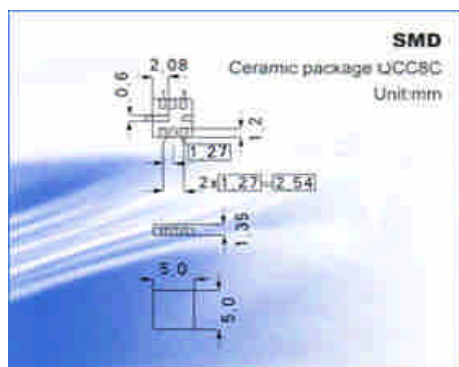
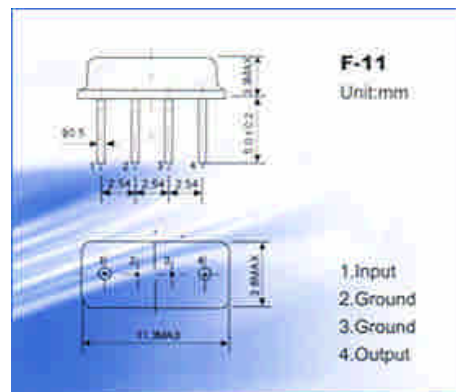
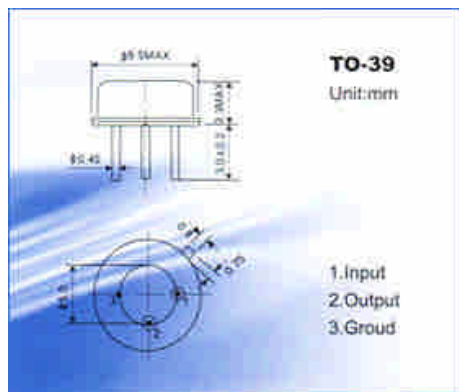
SAW RESONATOR



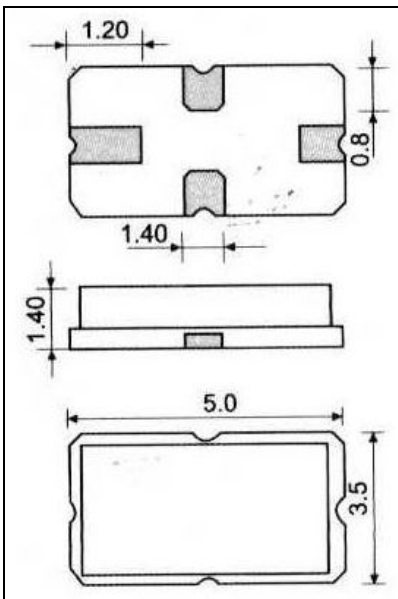
SR 447.6	447.625	<2.0	>12000	>2000	TO-39;F11 SMD
SR 466	466	<2.0	>12000	>2000	TO-39;F11 SMD
SR 479.5	479.5	<2.5	>12000	>2000	TO-39;F11 SMD
SR 790	790	<2.5	>12000	>2000	TO-39;F11 SMD
SR 868.35	868.35	<2.5	>12000	>2000	TO-39;F11 SMD
SR 912	912	<2.5	>12000	>2000	TO-39;F11 SMD
SR 916.5	916.5	<2.5	>12000	>2000	TO-39;F11 SMD
SR 980	980	<2.5	>12000	>2000	TO-39;F11 SMD

The SB Series Two-Port SAW Resonators For Wireless Remote Control

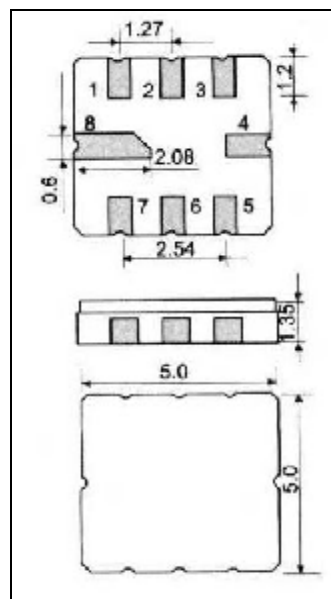
Part Number	Center Frequency(MHz)	Insertion Loss(dB)	Quality Factor		Package
			Unloaded	50Ω Load	
SB 384.05	384.05	<8.0	>13000	>6500	TO-39;F11 SMD
SB 387	387	<8.0	>13000	>6500	TO-39;F11 SMD
SB 403.55	403.55	<8.0	>13000	>6500	TO-39;F11 SMD
SB 418A	418.00	<8.0	>13000	>6500	TO-39;F11 SMD
SB 423A	423.22	<8.0	>13000	>6500	TO-39;F11 SMD
SB 433A	433.92	<8.0	>13000	>6500	TO-39;F11 SMD
SB 455.86	455.86	<8.0	>13000	>6500	TO-39;F11 SMD
SB 824.25	824.25	<8.0	>13000	>6500	TO-39;F11 SMD
SB 854	854	<8.0	>13000	>6500	TO-39;F11 SMD
SB 913.5	913.5	<8.0	>13000	>6500	TO-39;F11 SMD



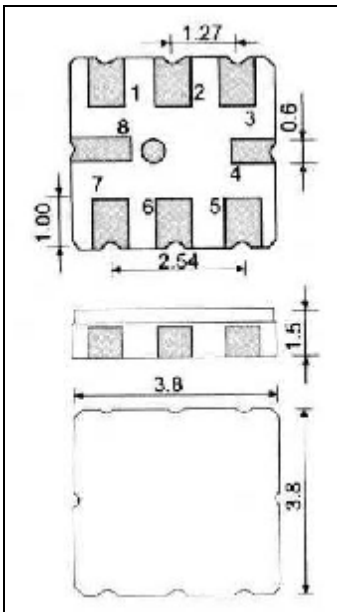
SM-2 (QCC4A)



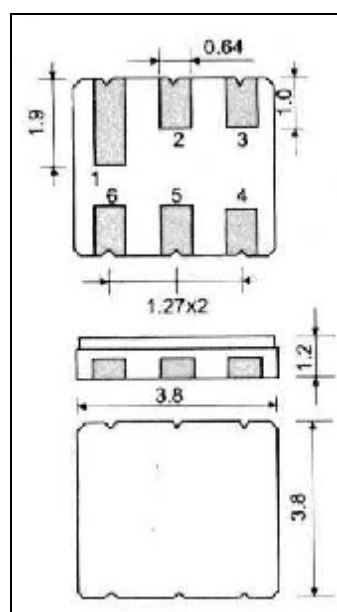
SM-3 (QCC8C)



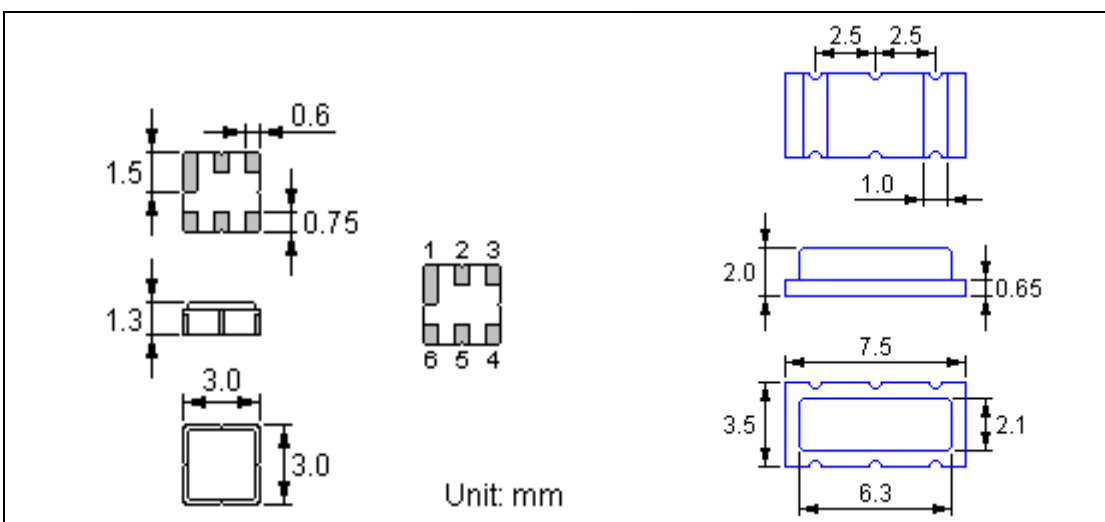
SM-4 (QCC8B)



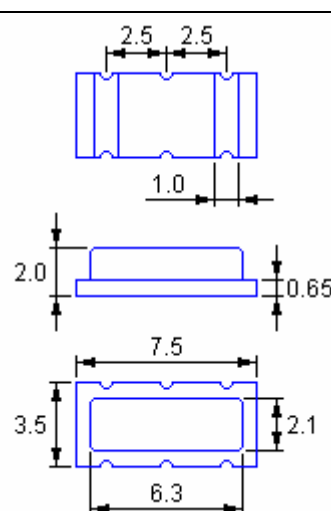
SM-5 (DCC6)



SM-6 (DCC6C)

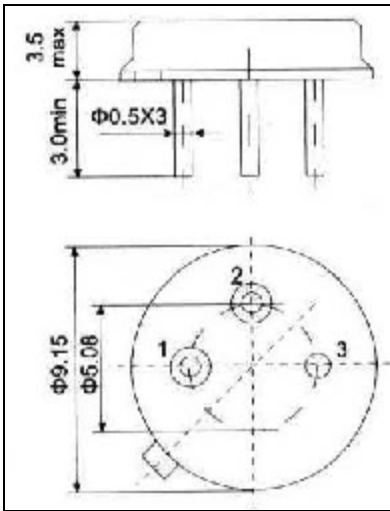


SM-7 (QCC2A)



Unit: mm

TO-39



F-11

