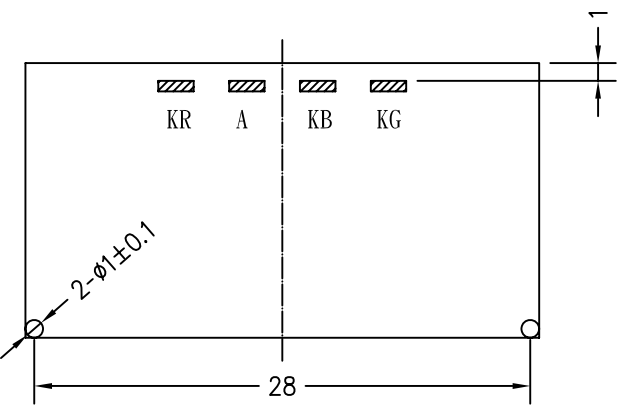
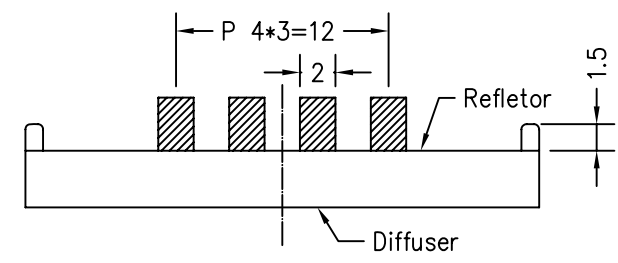
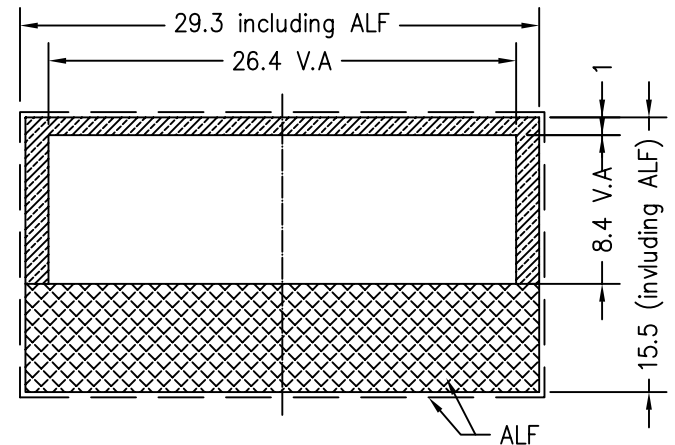
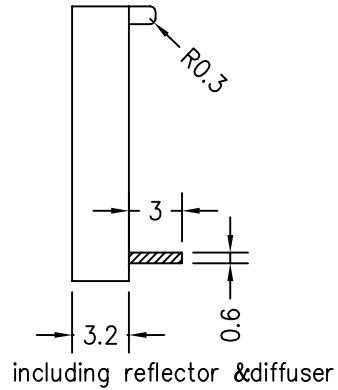
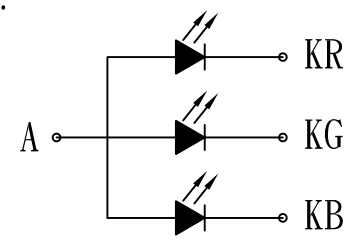


REV	REVISION RECORD	APPROVED
△	First Issue	
△	Modify Brightness, Forward current	



NOTES:

- Forward current: Red (If=15mA, Vf=2.0V)
Green(If=15mA, Vf=3.1V) △
Blue (If=15mA, Vf=3.1V)
- LED emission color: RGB
- Peak emission wavelength: Red (625nm typ.)
Green(515nm typ.)
Blue (465nm typ.)
- Brightness: Red (120 cd/m² typ.)
Green(250 cd/m² typ.) △
Blue (100 cd/m² typ.)
- Operation temperature: -20°C~+85°C
- Storage temperature: -30°C~+100°C
- Lead free process
- LED circuit:



General Tolerance ±				
0-5	0.05	0.1	0.1	0.2
5-10	0.05	0.1	0.1	0.2
10-50	0.05	0.1	0.2	0.3
50-100	0.1	0.2	0.3	0.5
100-150	0.1	0.2	0.5	0.8

	VERSION	DATE	PART NAME: RTB-1055
	B		
	SCALE	UNIT	TITLE:
	1/1	mm	
	APPROVED	CHECKED	FILE NAME: